

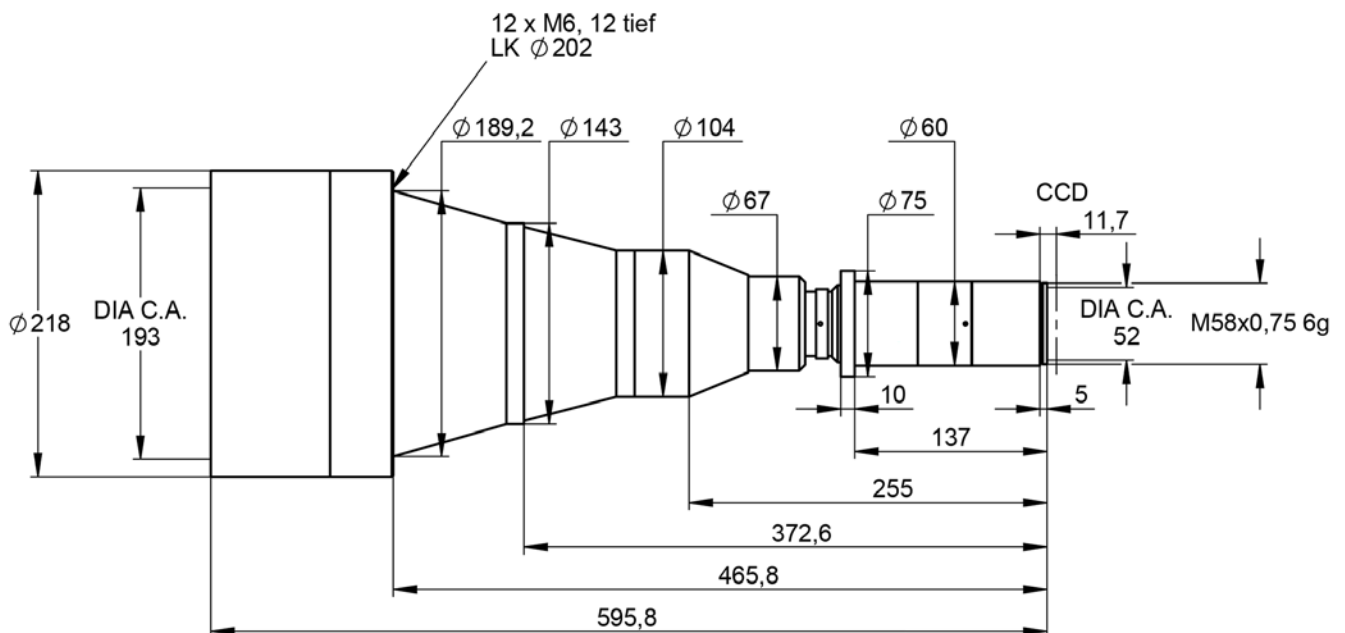
# DATA SHEET

## S5LPJ3025/M58 Correctal TL200/0.25 M58

- standard telecentric lenses
- object-sided telecentric
- with M58x0.75
- variable iris (manual)



### outline drawing

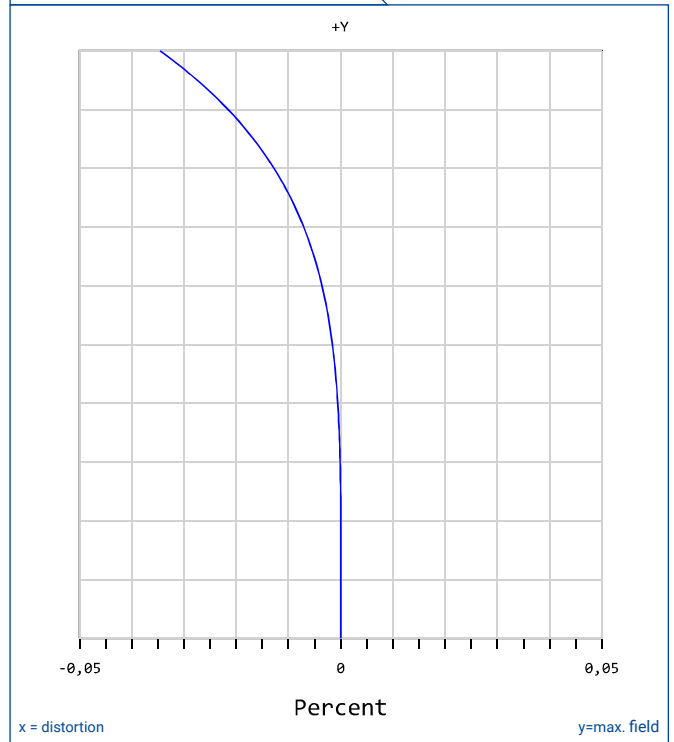


# DATA SHEET

## specifications

article number	S5LPJ3025/M58
wavelength range [nm]	450 - 700
design wavelength [nm]	586
magnification (+/-5%)	0.250
working distance [mm] (+/-2%)	310.0
object size [mm] at a chip size of [mm]	92.0 x 92.0 23.0 x 23.0 (32.6)
object size [mm] at a chip size of [mm]	98.8 x 98.8 24.7 x 24.7 (35.0)
object size [mm] at a chip size of [mm]	144.0 x 96.0 36.0 x 24.0 (43.3)
max. telecentricity error [°]	0.05
recommended numerical aperture	0.024
max. distortion [%]	0.05
weight [kg]	13.2
flange back distance [mm]	11.65
accessory	--

## Distortion for 586 nm



## remarks

## MTF for various object heights at 586 nm

