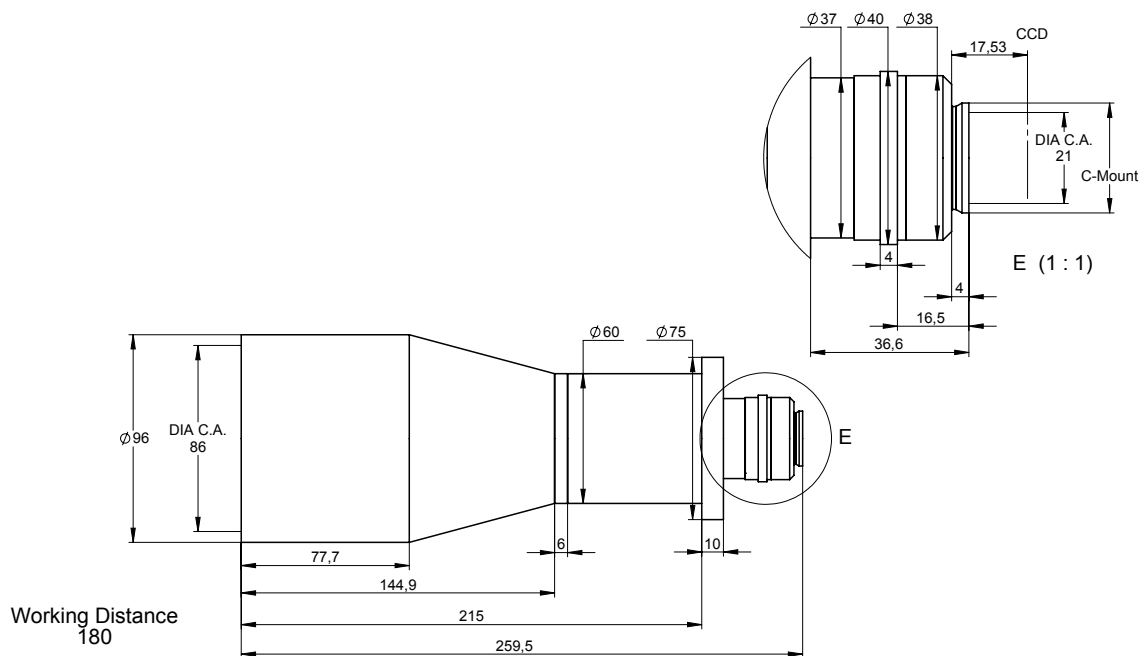


# DATA SHEET



## S5LPJ6024 Correctal® T85/0.12

- telecentric lens
- with c-mount
- with variable iris



outline drawing

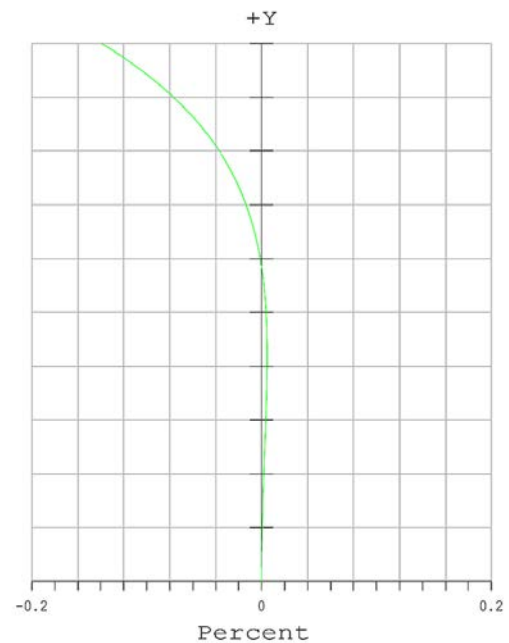
# DATA SHEET



## specifications

article number	S5LPJ6024
design wavelength [nm]	450-700
magnification (+/-5%)	0.121
working distance [mm] (+/-2%)	180.0
object size [mm]	39.6 x 29.7
at a chip size of [mm]	4.8 x 3.6 (1/3")
distortion [%]	<0.05
object size [mm]	52.8 x 39.6
at a chip size of [mm]	6.4 x 4.8 (1/2")
distortion [%]	0.1
object size [mm]	59.5 x 43.8
at a chip size of [mm]	7.2 x 5.3 (1/1.8")
distortion [%]	0.2
max. telecentricity error [°]	0.01
numerical aperture	0.010
weight [kg]	1.50
flange back distance [mm]	17.53
accessory	S5SET0020, S5SET6030

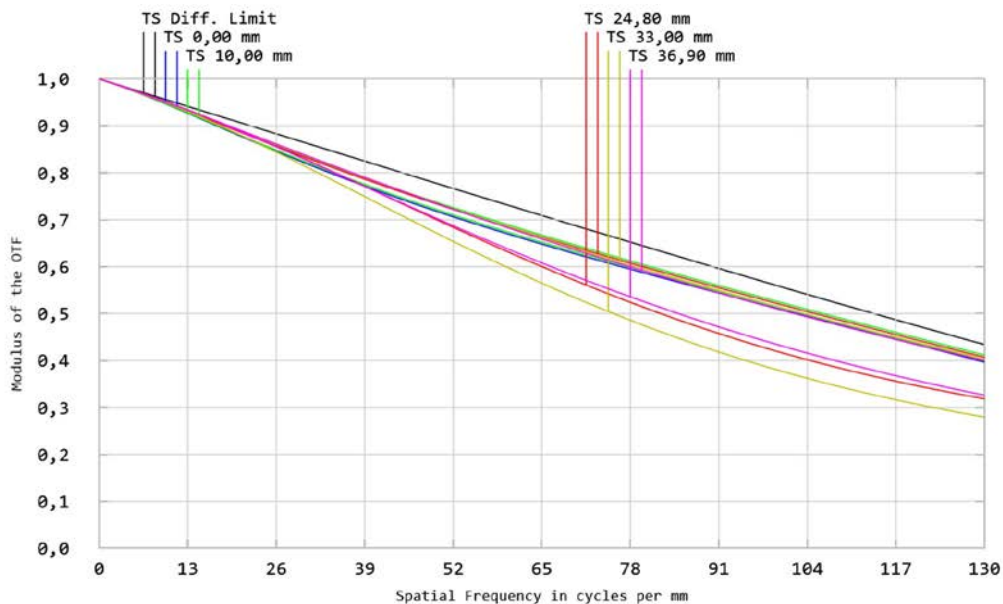
## Distortion for 586 nm



x = distortion

y = max. field

## MTF for various object heights at 586 nm



T. tangential

S. sagittal

replacement for S5LPJ6025  
graphs and data given by design.